

Chateau 5G

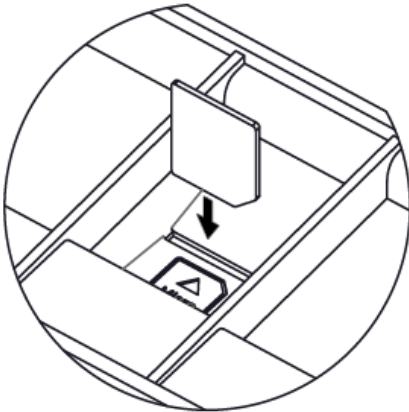


Chateau 5G (D53G-5HacD2HnD-TC&RG502Q-EA).

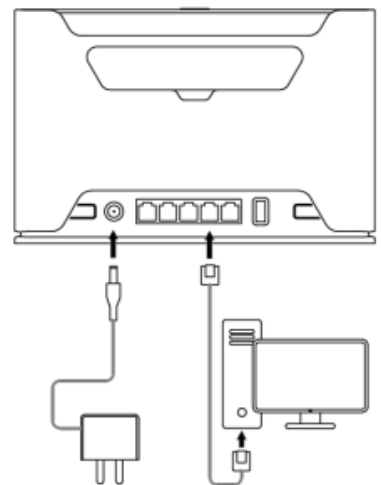
Quickstart

Please follow these quick steps to set up your device:

- Connect an external antennas to the SMA connector (The antennas are provided in the package, see "[Antenna usage](#)");
- Insert micro SIM card into the slot located under the device;



- Connect your computer to one of the Ethernet ports;
- Connect the power adapter to the DC jack;
- Once the device is powered on and PC connected to the device, open <https://192.168.88.1> in your web browser to start the configuration;
- User name: *admin* and there is no password by default you will be logged in automatically to the Quick Set screen;
- We recommend clicking the "Check for updates" button on the right side and updating your RouterOS software to the latest version to ensure the best performance and stability, Must have a valid SIM card inserted;
- To manually update the device, please go to <https://mikrotik.com/download>
- Choose ARM packages for this device and download them to your PC.
- Upload downloaded packages to the WebFig "Files" menu and reboot the device.
- Updating your RouterOS software to the latest version will ensure the best performance, stability, and security updates.
- To personalize your wireless network, SSID can be changed in the fields "Network Name";
- Choose your country on the left side of the screen in the field "Country", to apply country regulation settings;
- Set up your wireless network password in the field "WiFi Password" the password must be at least eight symbols;
- Set up your router password in the bottom field "Password" to the right and repeat it in the field "Confirm Password", it will be used to log in next time;
- Click on the "Apply Configuration" to save changes.



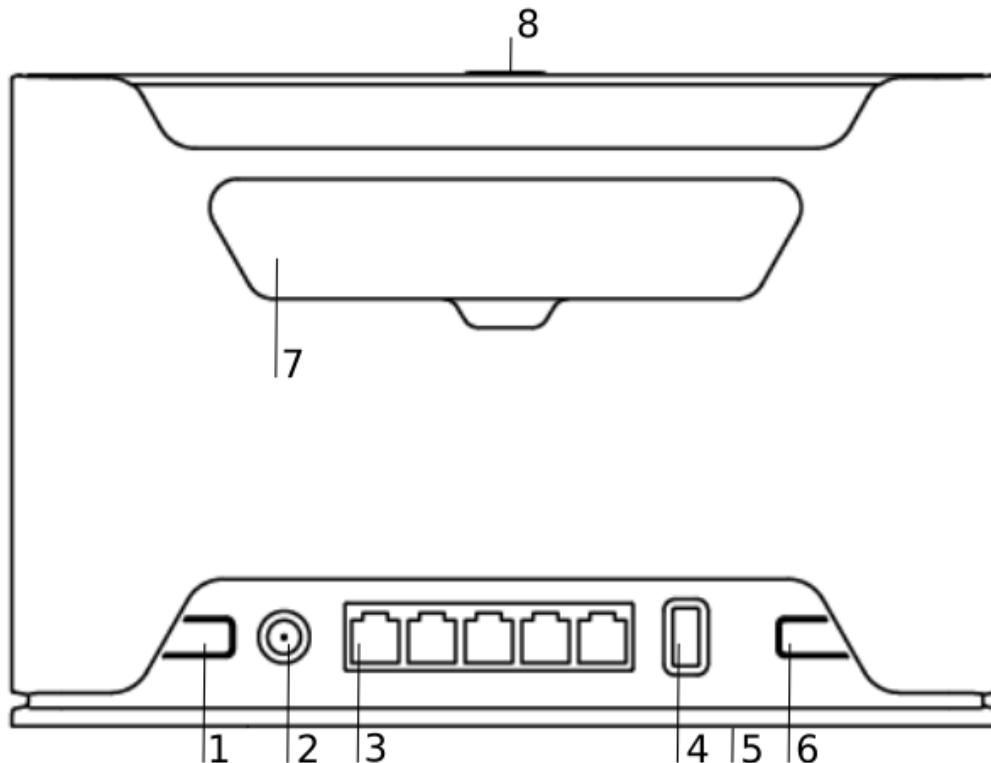
Connecting with a mobile app

Use your smartphone to access your router through WiFi.



- Insert the SIM card and power on the device.
- Scan QR code with your smartphone and choose your preferred OS.
- Connect to the wireless network. SSID starts with MikroTik and has the last digits of the device's MAC address.
- Open application.
- By default, the IP address and user name will be already entered.
- Click Connect to establish a connection to your device through a wireless network.
- Choose Quick setup and the application will guide you through all basic configuration settings in a couple of easy steps.
- An advanced menu is available to fully configure all necessary settings.

Expansion slots and ports




1. [Reset button](#).
2. [Powering](#) DC jack 2.0 mm.
3. Five Gigabit ports, supporting automatic cross/straight cable correction (Auto MDI/X). Either straight or crossover cable can be used for connecting to other network devices.
4. USB type-A.
5. [SIM slot](#) for Micro sim card.
6. Mode button.
7. Cover for external [SMA antenna connector](#) is not provided for models with antennas.
8. WPS [Sync button](#).

- Integrated Wireless module operating at 2.4 GHz, 802.11b/g/n protocol. Antenna gain 3 (dBi).
- Integrated Wireless module operating at 5 GHz, 802.11a/n/ac protocol. Antenna gain 5.5 (dBi).

Mounting

The device is designed to be used indoors, by placing it on the desktop.

 We recommend using Cat5 shielded cable. When using and installing this device please pay attention to the Maximum Permissible Exposure (MPE) safety distance with a minimum of 20 cm between the radiator and your body.

Powering

The device accepts power from an adapter:

- Direct-input power jack (5.5 mm outside and 2 mm inside, female, pin positive plug) 12-28 V DC.

The power consumption under maximum load can reach 17 W, with attachments 23 W.

Configuration

We recommend checking for updates frequently to receive the latest updates for your RouterOS software to ensure the best performance and stability. RouterOS includes many configuration options in addition to what is described in this document. We suggest starting here to get yourself accustomed to the possibilities: <https://mt.lv/help>. In case an IP connection is not available, the Winbox tool (<https://mt.lv/winbox>) can be used to connect to the MAC address of the device from the LAN side (all access is blocked from the Internet port by default).

For recovery purposes, it is possible to boot the device for reinstallation, see section [Buttons and Jumpers](#).

Mode button

Mode button located on the back of the unit, to the right side.

The Default configuration for the Mode button is dark mode - to turn off all LEDs. The button can be configured in RouterOS to run any user-specified scripts.

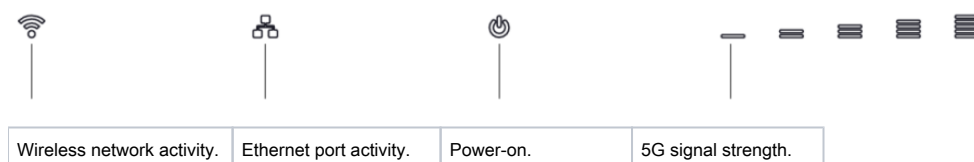
Sync button

Sync button located on the top of the unit. WPS Sync button, if configured on the wireless interface, can be used to connect new clients.



- Press and hold the WPS button for 1 – 5 seconds to enable WPS for wireless interfaces.

Front LED status



SIM slot usage



SIM card slot is designed to use with Micro SIM cards.

Nano SIM cards have different thicknesses, usage with adapter is not recommended.

Reset button

The reset button has three functions:

- Hold this button during boot time until the LED light starts flashing, release the button to reset RouterOS configuration (total 5 seconds).
- Keep holding for 5 more seconds, LED turns solid, release now to turn on CAP mode. The device will now look for a CAPsMAN server (total 10 seconds).
- Or Keep holding the button for 5 more seconds until LED turns off, then release it to make the RouterBOARD look for Netinstall servers (total 15 seconds).

Regardless of the above option used, the system will load the backup RouterBOOT loader if the button is pressed before power is applied to the device. Useful for RouterBOOT debugging and recovery.

Netinstall

When performing Netinstall, make sure to use the latest v7 version of both ROS files and the Netinstall software.

Accessories

The package includes the following accessories that come with the device:

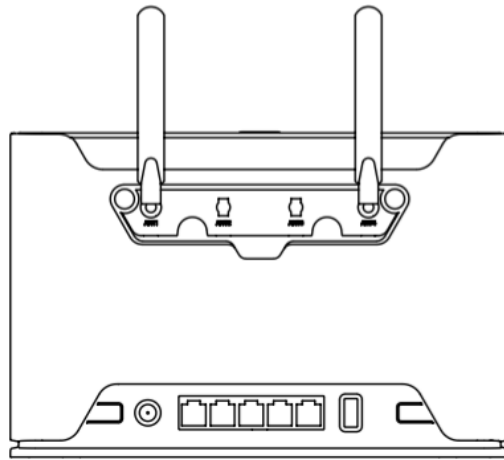
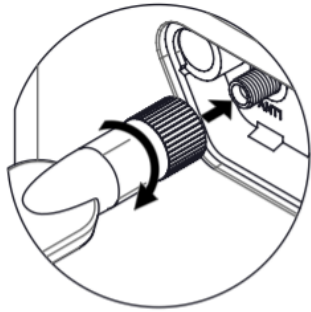
- ADAPT1_EU/US Switching Power Supply 24V, 1.2A.
- CAB3_CAT5E UTP Flat Cable, 8P8C, AWG32, 1.5m.
- ANT8-9_external LTE antenna.

Antenna usage

Switch off the device before connecting the antennas, otherwise, the device may be damaged!

External antenna sockets are located on the back of the device.

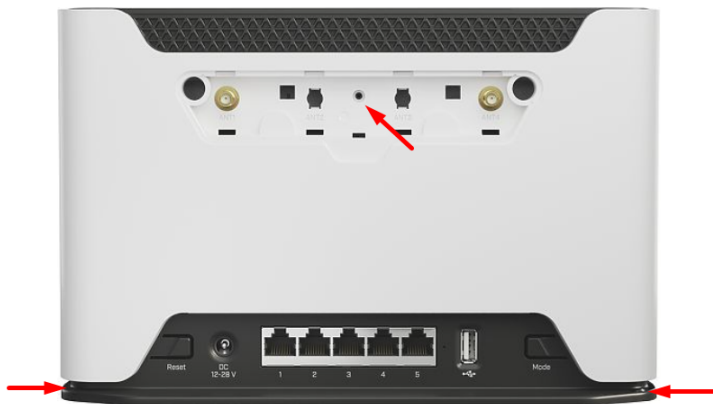
- Screw both antennas to the SMA sockets (Follow the instructions in the illustrations).



Removing back cover to access PCB

In case there is a need to access PCB, the back cover can be removed.

- Remove center screw;



- Use a small screwdriver to pry open backplate in marked spots;
- Continue to pry it open by going up;



- At the end lift off the whole backplate.

Operating system support

The device supports RouterOS software version v7. The specific factory-installed version number is indicated in the RouterOS menu /system resource. Other operating systems have not been tested.

CE Declaration of Conformity

BG	C настоящото Mikrofikls SIA декларира, че този тип радиосъоръжение D53G-5HacD2HnD-TC&RG502Q-EA е в съответствие с Директива 2014/53/ЕС. Цялостният текст на ЕС декларацията за съответствие може да се намери на следния интернет адрес: https://mikrotik.com/products
CS	Tímto Mikrofikls SIA prohlašuje, že typ rádiového zařízení D53G-5HacD2HnD-TC&RG502Q-EA je v souladu se směrnicí 2014/53/EU. Úplné znění EU prohlášení o shodě je k dispozici na této internetové adrese: https://mikrotik.com/products
DA	Hermed erklærer Mikrofikls SIA, at radioudstyrstypen D53G-5HacD2HnD-TC&RG502Q-EA er i overensstemmelse med direktiv 2014/53/EU. EU-overensstemmelseserklæringens fulde tekst kan findes på følgende internetadresse: https://mikrotik.com/products
DE	Hiermit erkläre Mikrofikls SIA, dass der Funkanlagentyp D53G-5HacD2HnD-TC&RG502Q-EA der Richtlinie 2014/53/EU entspricht. Der vollständige Text der EU-Konformitätserklärung ist unter der folgenden Internetadresse verfügbar: https://mikrotik.com/products
EL	Με την παρούσα ο/η Mikrofikls SIA, δηλώνει ότι ο ραδιοεξοπλισμός D53G-5HacD2HnD-TC&RG502Q-EA πληροί την οδηγία 2014/53/ΕΕ. Το πλήρες κείμενο της δήλωσης συμμόρφωσης ΕΕ διατίθεται στην ακόλουθη ιστοσελίδα στο διαδίκτυο: https://mikrotik.com/products
EN	Hereby, Mikrofikls SIA declares that the radio equipment type D53G-5HacD2HnD-TC&RG502Q-EA is in compliance with Directive 2014/53/EU. The full text of the EU declaration of conformity is available at the following internet address: https://mikrotik.com/products
ES	Por la presente, Mikrofikls SIA declara que el tipo de equipo radioeléctrico D53G-5HacD2HnD-TC&RG502Q-EA es conforme con la Directiva 2014/53/UE. El texto completo de la declaración UE de conformidad está disponible en la dirección Internet siguiente: https://mikrotik.com/products
ET	Käesolevaga deklareerib Mikrofikls SIA, et käesolev raadioseadme tüüp D53G-5HacD2HnD-TC&RG502Q-EA vastab direktiivi 2014/53/EL nõuetele. ELi vastavusdeklaratsiooni täielik tekst on kättesaadav järgmisel internetiaadressil: https://mikrotik.com/products
FI	Mikrofikls SIA vakuuttaa, että radiolaitetyyppi D53G-5HacD2HnD-TC&RG502Q-EA on direktiivin 2014/53/EU mukainen. EU-vaatimustenmukaisuusvakuutuksen täysimittainen teksti on saatavilla seuraavassa internetosoitteessa: https://mikrotik.com/products
FR	Le soussigné, Mikrofikls SIA, déclare que l'équipement radioélectrique du type D53G-5HacD2HnD-TC&RG502Q-EA est conforme à la directive 2014/53/UE. Le texte complet de la déclaration UE de conformité est disponible à l'adresse internet suivante: https://mikrotik.com/products
HR	Mikrofikls SIA ovime izjavljuje da je radijska oprema tipa D53G-5HacD2HnD-TC&RG502Q-EA u skladu s Direktivom 2014/53/EU. Cjeloviti tekst EU izjave o sukladnosti dostupan je na sljedećoj internetskoj adresi: https://mikrotik.com/products
HU	Mikrofikls SIA igazolja, hogy a D53G-5HacD2HnD-TC&RG502Q-EA típusú rádióberendezés megfelel a 2014/53/EU irányelvnek. Az EU-megfelelőségi nyilatkozat teljes szövege elérhető a következő internetes címen: https://mikrotik.com/products
IT	Il fabbricante, Mikrofikls SIA, dichiara che il tipo di apparecchiatura radio D53G-5HacD2HnD-TC&RG502Q-EA è conforme alla direttiva 2014/53/UE. Il testo completo della dichiarazione di conformità UE è disponibile al seguente indirizzo Internet: https://mikrotik.com/products
IS	Hér með lýsir Mikrofikls SIA því yfir að D53G-5HacD2HnD-TC&RG502Q-EA er í samræmi við grunnkröfur og aðrar kröfur, sem gerðar eru í tilskipun 2014/53/EU. Fullur texti ESB samræmisýfirlýsingar er að finna á eftirfarandi veffangi: https://mikrotik.com/products
LT	Aš, Mikrofikls SIA, patvirtinu, kad radijo įrenginių tipas D53G-5HacD2HnD-TC&RG502Q-EA atitinka Direktyvą 2014/53/ES. Visas ES atitikties deklaracijos tekstas prieinamas šiuo interneto adresu: https://mikrotik.com/products
LV	Ar šo Mikrofikls SIA deklarē, ka radioiekārta D53G-5HacD2HnD-TC&RG502Q-EA atbilst Direktīvai 2014/53/ES. Pilns ES atbilstības deklarācijas teksts ir pieejams šādā interneta vietnē: https://mikrotik.com/products
MT	B'dan, Mikrofikls SIA, niddikjara li dan it-tip ta' tagħmir tar-radju D53G-5HacD2HnD-TC&RG502Q-EA huwa konformi mad-Direttiva 2014/53/UE. It-test kollu tad-dikjarazzjoni ta' konformità tal-UE huwa disponibbli f'dan l-indirizz tal-Internet li ġej: https://mikrotik.com/products
NL	Hierbij verklaar ik, Mikrofikls SIA, dat het type radioapparatuur D53G-5HacD2HnD-TC&RG502Q-EA conform is met Richtlijn 2014/53/EU. De volledige tekst van de EU-conformiteitsverklaring kan worden geraadpleegd op het volgende internetadres: https://mikrotik.com/products
NO	Mikrofikls SIA erklærer herved at utstyret D53G-5HacD2HnD-TC&RG502Q-EA er i samsvar med de grunnleggende krav og øvrige relevante krav i direktiv 2014/53/EU. Den fulle teksten til EU-samsvarserklæringen er tilgjengelig på følgende internetadresse: https://mikrotik.com/products

PL	MikroTiks SIA niniejszym oświadcza, że typ urządzenia radiowego D53G-5HacD2HnD-TC&RG502Q-EA jest zgodny z dyrektywą 2014/53/UE. Pełny tekst deklaracji zgodności UE jest dostępny pod następującym adresem internetowym: https://mikrotik.com/products
PT	O(a) abaixo assinado(a) MikroTiks SIA declara que o presente tipo de equipamento de rádio D53G-5HacD2HnD-TC&RG502Q-EA está em conformidade com a Diretiva 2014/53/UE. O texto integral da declaração de conformidade está disponível no seguinte endereço de Internet: https://mikrotik.com/products
RO	Prin prezenta, MikroTiks SIA declară că tipul de echipamente radio D53G-5HacD2HnD-TC&RG502Q-EA este în conformitate cu Directiva 2014/53/UE. Textul integral al declaraiei UE de conformitate este disponibil la următoarea adresă internet: https://mikrotik.com/products
SK	MikroTiks SIA týmto vyhlasuje, že rádiové zariadenie typu D53G-5HacD2HnD-TC&RG502Q-EA je v súlade so smernicou 2014/53/EÚ. Úplné EÚ vyhlásenie o zhode je k dispozícii na tejto internetovej adrese: https://mikrotik.com/products
SL	MikroTiks SIA potrjuje, da je tip radijske opreme D53G-5HacD2HnD-TC&RG502Q-EA skladen z Direktivo 2014/53/EU. Celotno besedilo izjave EU o skladnosti je na voljo na naslednjem spletnem naslovu: https://mikrotik.com/products
SV	Härmed försäkrar MikroTiks SIA att denna typ av radioutrustning D53G-5HacD2HnD-TC&RG502Q-EA överensstämmer med direktiv 2014/53/EU. Den fullständiga texten till EU-försäkran om överensstämmelse finns på följande webbadress: https://mikrotik.com/products

WLAN / WCDMA / LTE / 5G

Operating Frequency / Maximum output power	WLAN 2.4 Ghz	2400-2483.5 MHz / 20 dBm	
	WLAN 5Ghz	5150-5250 MHz / 23 dBm	
	WLAN 5Ghz	5250-5350 MHz / 20 dBm	
	WLAN 5Ghz	5470-5725 MHz / 27 dBm	
	WCDMA Band I	1922.4 MHz / 23dBm ± 2.7 dB	
	WCDMA Band III	1712.4 MHz / 23dBm ± 2.7 dB	
	WCDMA Band V	826.4 MHz / 23dBm ± 2.7 dB	
	WCDMA Band VIII	882.4 MHz / 23dBm ± 2.7 dB	
	LTE Band 1	2100 MHz / 23dBm ± 2.7 dB	
	LTE Band 3	1700 MHz / 23dBm ± 2.7 dB	
	LTE Band 5	850 MHz / 23dBm ± 2.7 dB	
	LTE Band 7	2600 MHz / 23dBm ± 2.7 dB	
	LTE Band 8	900 MHz / 23dBm ± 2.7 dB	
	LTE Band 20	800 MHz / 23dBm ± 2.7 dB	
	Betriebsfrequenz / maximale Ausgangsleistung	LTE Band 28	700 MHz / 23dBm ± 2.7 dB
		LTE Band 32	1500 MHz / 23dBm ± 2.7 dB
	Fréquence de fonctionnement / puissance de sortie maximale	LTE Band 34	2000 MHz / 23dBm ± 2.7 dB
		LTE Band 38	2600 MHz / 23, 26dBm ± 2.7 dB
	Frequenza operativa / massima potenza di uscita	LTE Band 40	2300 MHz / 23, 26dBm ± 2.7 dB
		LTE Band 41	2500 MHz / 23, 26dBm ± 2.7 dB
Frecuencia de funcionamiento / potencia de salida máxima	LTE Band 42	3500 MHz / 23, 26dBm ± 3 dB	
	LTE Band 43	3700 MHz / 23dBm ± 3 dB	
Рабочая частота / максимальная выходная мощность	5G NR Band n1	2100 MHz / 23dBm ± 2 dB	
	5G NR Band n3	1800 MHz / 23dBm ± 2 dB	
	5G NR Band n7	2600 MHz / 23dBm ± 2 dB	

5G NR Band n8	900 MHz / 23dBm ± 2 dB
5G NR Band n20	800 MHz / 23dBm ± 2 dB
5G NR Band n28	700 MHz / 23dBm ± 2 dB
5G NR Band n38	2600 MHz / 23dBm ± 2 dB
5G NR Band n40	2300 MHz / 23dBm ± 2 dB
5G NR Band n41	2500 MHz / 26dBm ± 2 dB
5G NR Band n77	3700 MHz / 26dBm ± 2 dB
5G NR Band n78	3500 MHz / 26dBm ± 2 dB



This MikroTik device meets Maximum transmit power limits per ETSI regulations. For more detailed information see Declaration of Conformity above / Dieses MikroTik-Gerät erfüllt die maximalen Sendeleistung Grenzwerte gemäß ETSI-Vorschriften. Weitere Informationen finden Sie oben in der Konformitätserklärung / Cet appareil MikroTik respecte les limites de puissance de transmission maximale conformément aux réglementations ETSI. Pour plus d'informations, voir la déclaration de conformité ci-dessus / Questo dispositivo MikroTik è conforme ai limiti di potenza massima di trasmissione in conformità con le normative ETSI. Per ulteriori informazioni, consultare la dichiarazione di conformità sopra / Este dispositivo MikroTik cumple con los valores límite de potencia máxima de transmisión de acuerdo con la normativa ETSI. Para obtener información más detallada, consulte la Declaración de conformidad anterior / Это устройство MikroTik соответствует предельным значениям максимальной мощности передачи в соответствии с правилами ETSI. Для получения более подробной информации см. Декларацию соответствия выше.



The WLAN function for this device is restricted to indoor use only when operating in the 5150 to 5350 MHz frequency range. / Die WLAN-Funktion dieses Geräts ist nur für die Verwendung in Innenräumen im Frequenzbereich 5150 bis 5350 MHz beschränkt. / La fonction WLAN de cet appareil est limitée à une utilisation en intérieur uniquement lorsqu'il fonctionne dans la gamme de fréquences 5150 à 5350 MHz. / La funzione WLAN per questo dispositivo è limitata all'uso interno solo quando si opera nella gamma di frequenza da 5150 a 5350 MHz. / La función WLAN para este dispositivo está restringida al uso en interiores solo cuando se opera en el rango de frecuencia de 5150 a 5350 MHz. / Функция WLAN для этого устройства ограничена использованием внутри помещения только при работе в диапазоне частот от 5150 до 5350 МГц.